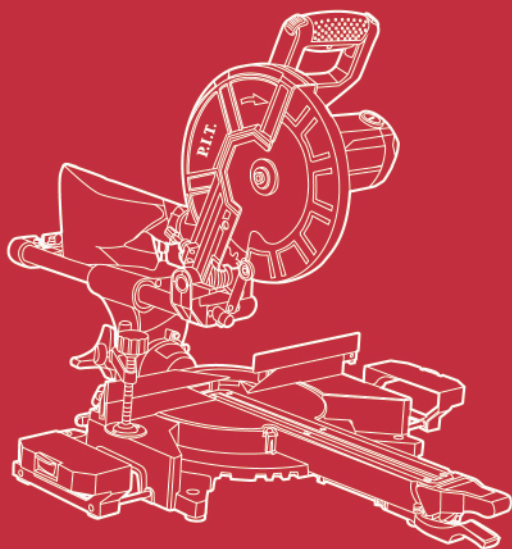


# P.I.T.

PCM255-C3



**MITER SAW**

**2000W**

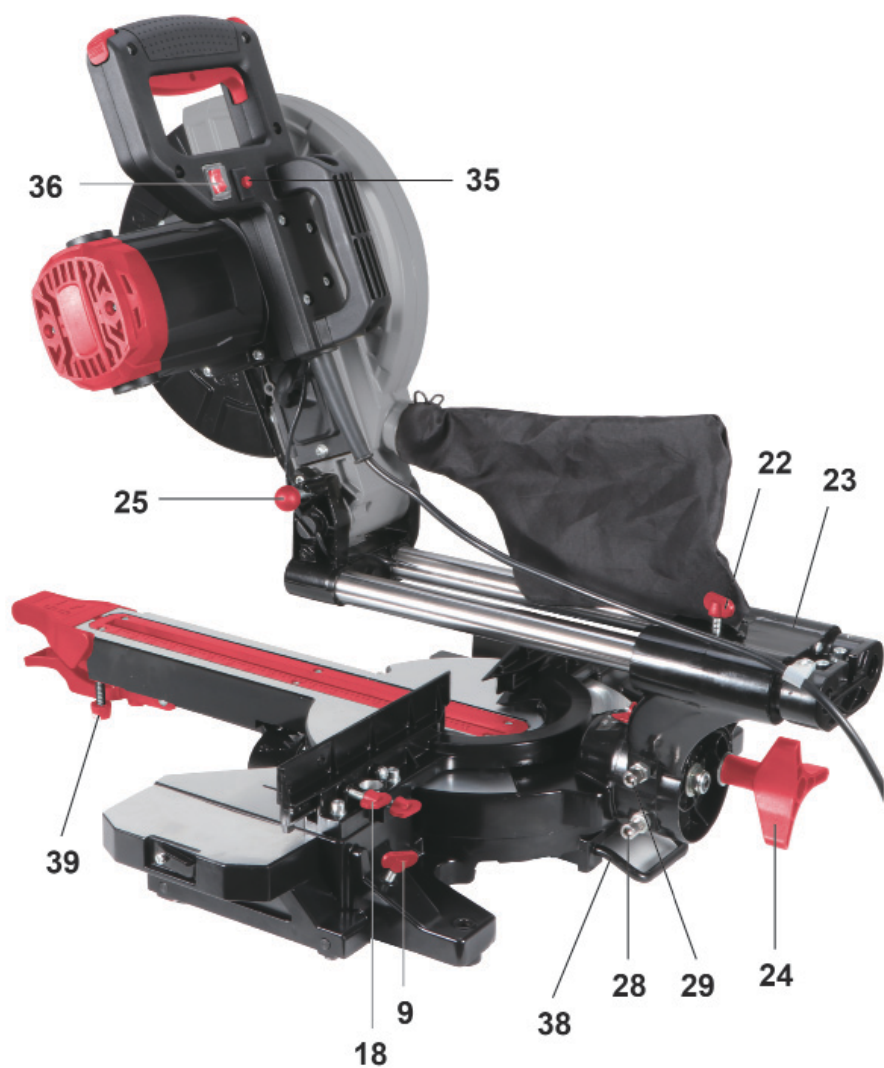
**Powerful  
Efficient**

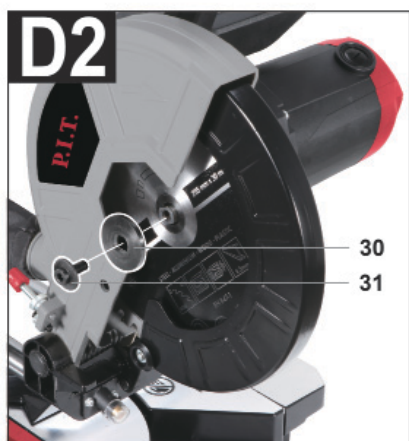
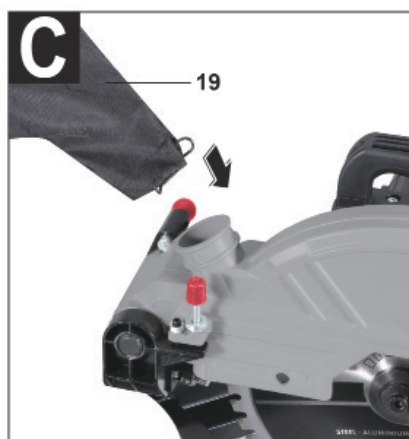
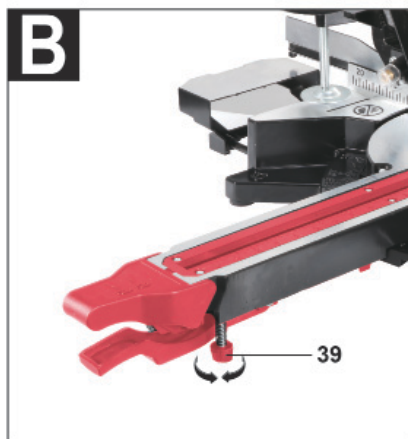
Please read the instruction manual carefully before use!

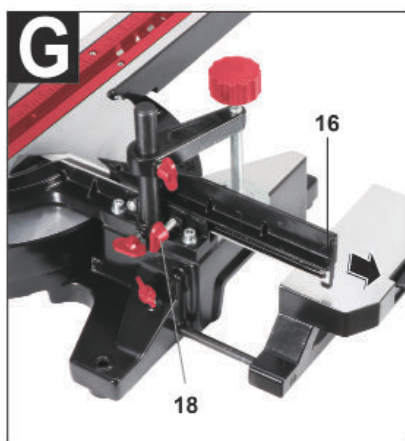
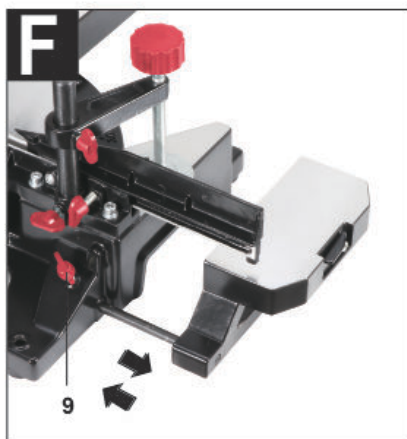


**EAC**

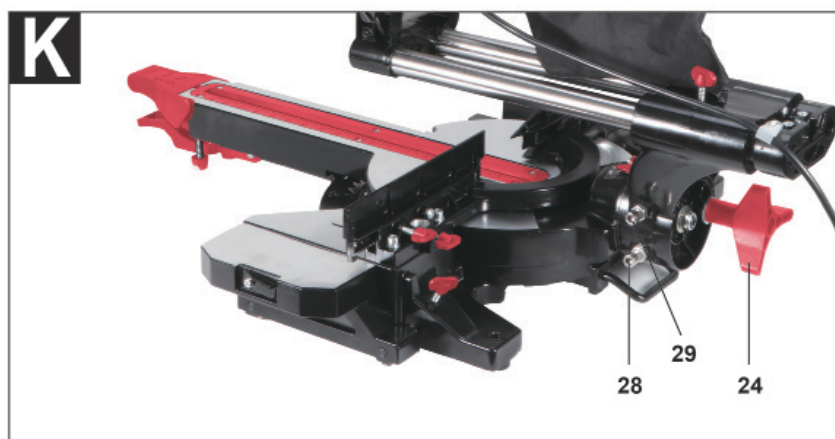
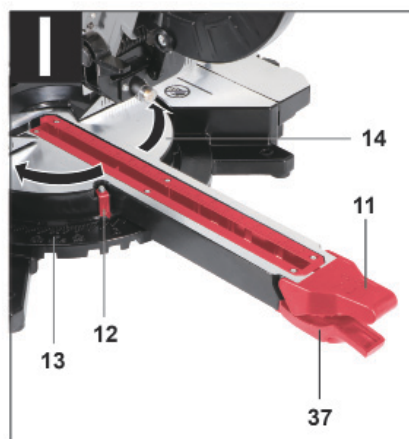


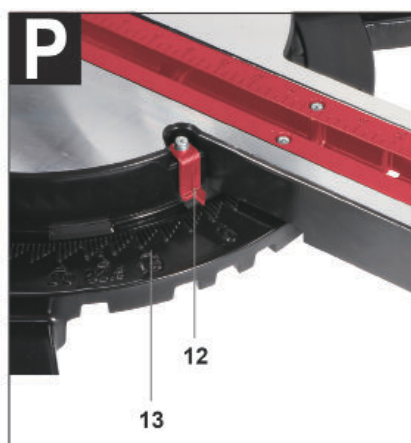
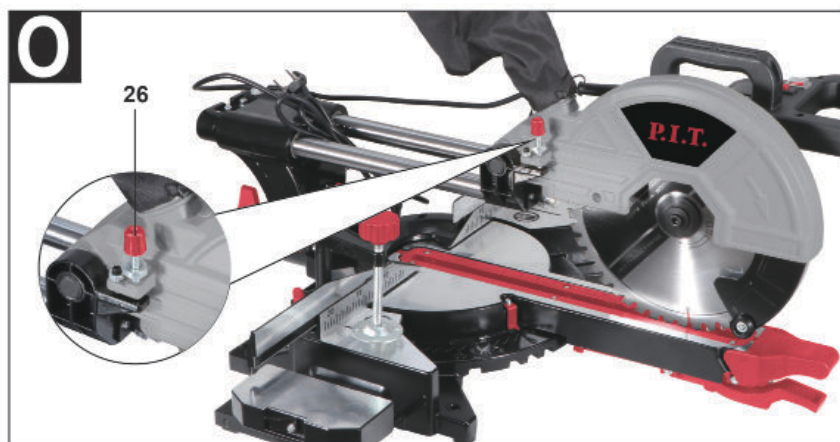
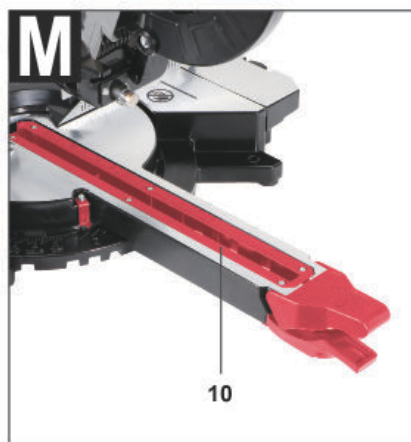













## English

### Safety Notes

#### General Power Tool Safety Warnings

 **WARNING** Read all safety warnings and all instructions. Failure to follow the warnings and instructions may result in electric shock, fire and/or serious injury. Save all warnings and instructions for future reference.

The term "power tool" in the warnings refers to your mainsoperated(corded) power tool or battery operated (cordless) power tool.

#### Work area safety

- ▶ **Keep work area clean and well lit.** Cluttered or dark areas invite accidents.
- ▶ **Do not operate power tools in explosive atmospheres, such as in the presence of flammable liquids, gases or dust.** Power tools create sparks which may ignite the dust or fumes.
- ▶ **Keep children and bystanders away while operating a power tool.** Distractions can cause you to lose control.

#### Electrical safety

- ▶ **Power tool plugs must match the outlet. Never modify the plug in any way. Do not use any adapter plugs with earthed (grounded) power tools.** Unmodified plugs and matching outlets will reduce risk of electric shock.
- ▶ **Avoid body contact with earthed or grounded surfaces, such as pipes, radiators, ranges and refrigerators.** There is an increased risk of electric shock if your body is earthed or grounded.
- ▶ **Do not expose power tools to rain or wet conditions.** Water entering a power tool will increase the risk of electric shock.
- ▶ **Do not abuse the cord. Never use the cord for carrying, pulling or unplugging the power tool.** Keep cord away from heat, oil, sharp edges or moving parts. Damaged or entangled cords increase the risk of electric shock.
- ▶ **When operating a power tool outdoors, use an extension cord suitable for outdoor use.** Use of a cord suitable for outdoor use reduces the risk of electric shock.
- ▶ **If operating a power tool in a damp location is unavoidable, use a residual current device (RCD) protected supply.** Use of an RCD reduces the risk of electric shock.

#### Personal safety

- ▶ **Stay alert, watch what you are doing**

**and use common sense when operating a power tool.** Do not use a power tool while you are tired or under the influence of drugs, alcohol or medication. A moment of inattention while operating power tools may result in serious personal injury.

- ▶ **Use personal protective equipment. Always wear eye protection.** Protective equipment such as dust mask, non-skid safety shoes, hard hat, or hearing protection used for appropriate conditions will reduce personal injuries.
- ▶ **Prevent unintentional starting. Ensure the switch is in the off-position before connecting to power source and/or battery pack, picking up or carrying the tool.** Carrying power tools with your finger on the switch or energizing power tools that have the switch on invites accidents.
- ▶ **Remove any adjusting key or wrench before turning the power tool on.** A wrench or a key left attached to a rotating part of the power tool may result in personal injury.
- ▶ **Do not overreach. Keep proper footing and balance at all times.** This enables better control of the power tool in unexpected situations.
- ▶ **Dress properly. Do not wear loose clothing or jewellery.** Keep your hair, clothing and gloves away from moving parts. Loose clothes, jewellery or long hair can be caught in moving parts.
- ▶ **If devices are provided for the connection of dust extraction and collection facilities, ensure these are connected and properly used.** Use of dust collection can reduce dust-related hazards.
- ▶ **Do not let familiarity gained from frequent use of tools allow you to become complacent and ignore tool safety principles.** A careless action can cause severe injury within a fraction of a second.

#### Power tool use and care

- ▶ **Do not force the power tool. Use the correct power tool for your application.** The correct power tool will do the job better and safer at the rate for which it was designed.
- ▶ **Do not use the power tool if the switch does not turn it on and off.** Any power tool that cannot be controlled with the switch is dangerous and must be repaired.
- ▶ **Disconnect the plug from the power source and/or the battery pack from the power tool before making any adjust-**



**ments, changing accessories, or storing power tools.** Such preventive safety measures reduce the risk of starting the power tool accidentally.

- ▶ **Store idle power tools out of the reach of children and do not allow persons unfamiliar with the power tool or these instructions to operate the power tool.** Power tools are dangerous in the hands of untrained users.
- ▶ **Maintain power tools. Check for misalignment or binding of moving parts, breakage of parts and any other condition that may affect the power tool's operation.** If damaged, have the power tool repaired before use. Many accidents are caused by poorly maintained power tools.
- ▶ **Keep cutting tools sharp and clean.** Properly maintained cutting tools with sharp cutting edges are less likely to bind and are easier to control.
- ▶ **Use the power tool, accessories and tool bits etc. in accordance with these instructions, taking into account the working conditions and the work to be performed.** Use of the power tool for operations different from those intended could result in a hazardous situation.
- ▶ **Keep handles and grasping surfaces dry, clean and free from oil and grease.** Slippery handles and grasping surfaces do not allow for safe handling and control of the tool in unexpected situations.

#### Safety Warnings for Mitre Saws

- ▶ **Mitre saws are intended to cut wood or wood-like products, they cannot be used with abrasive cut-off wheels for cutting ferrous material such as bars, rods, studs, etc.** Abrasive dust causes moving parts such as the lower guard to jam. Sparks from abrasive cutting will burn the lower guard, the kerf insert and other plastic parts.
- ▶ **Use clamps to support the workpiece whenever possible. If supporting the workpiece by hand, you must always keep your hand at least 100 mm from either side of the saw blade. Do not use this saw to cut pieces that are too small to be securely clamped or held by hand.** If your hand is placed too close to the saw blade, there is an increased risk of injury from blade contact.
- ▶ **The workpiece must be stationary and clamped or held against both the fence and the table. Do not feed the work-**

**piece into the blade or cut "freehand" in any way.** Unrestrained or moving workpieces could be thrown at high speeds, causing injury.


- ▶ **Push the saw blade through the workpiece to be cut. Do not pull the saw blade towards you through the workpiece. To make a cut, lift the saw handle, pull over the workpiece without cutting, start the engine, push the saw handle downwards and push the saw blade through the workpiece.** Pulling cutting will likely cause the saw blade to sit on the workpiece and be thrown sharply towards the operator.
- ▶ **Never cross your hand over the intended line of cutting either in front or behind the saw blade.** Supporting the workpiece "cross handed" i.e. holding the workpiece to the right of the saw blade with your left hand or vice versa is very dangerous.
- ▶ **Do not reach behind the fence with either hand closer than 100 mm from either side of the saw blade, to remove wood scraps, or for any other reason while the blade is spinning.** The proximity of the spinning saw blade to your hand may not be obvious and you may be seriously injured.
- ▶ **Inspect your workpiece before cutting. If the workpiece is bowed or warped, clamp it with the outside bowed face toward the fence. Always make certain that there is no gap between the workpiece, fence and table along the line of the cut.** Bent or warped workpieces can twist or shift and may cause binding on the spinning saw blade while cutting. There should be no nails or foreign objects in the workpiece.
- ▶ **Do not use the saw until the table is clear of all tools, wood scraps, etc., except for the workpiece.** Small debris or loose pieces of wood or other objects that contact the revolving blade can be thrown with high speed.
- ▶ **Cut only one workpiece at a time.** Stacked multiple workpieces cannot be adequately clamped or braced and may bind on the blade or shift during cutting.
- ▶ **Ensure the mitre saw is mounted or placed on a level, firm work surface before use.** A level and firm work surface reduces the risk of the mitre saw becoming unstable.

- ▶ **Plan your work.** Every time you change the bevel or mitre angle setting, make sure the adjustable fence is set correctly to support the workpiece and will not interfere with the blade or the guarding system. Without turning the tool “ON” and with no workpiece on the table, move the saw blade through a complete simulated cut to assure there will be no interference or danger of cutting the fence.
- ▶ **Provide adequate support such as table extensions, saw horses, etc. for a workpiece that is wider or longer than the table top.** Workpieces longer or wider than the mitre saw table can tip if not securely supported. If the cut-off piece or workpiece tips, it can lift the lower guard or be thrown by the spinning blade.
- ▶ **Do not use another person as a substitute for a table extension or as additional support.** Unstable support for the workpiece can cause the blade to bind or the workpiece to shift during the cutting operation pulling you and the helper into the spinning blade.
- ▶ **The cut-off piece must not be jammed or pressed by any means against the spinning saw blade.** If confined, i.e. using length stops, the cut-off piece could get wedged against the blade and thrown violently.
- ▶ **Always use a clamp or a fixture designed to properly support round material such as rods or tubing.** Rods have a tendency to roll while being cut, causing the blade to “bite” and pull the work with your hand into the blade.
- ▶ **Let the blade reach full speed before contacting the workpiece.** This will reduce the risk of the workpiece being thrown.
- ▶ **If the workpiece or blade becomes jammed, turn the mitre saw off. Wait for all moving parts to stop and disconnect the plug from the power source.** Then work to free the jammed material. Continued sawing with a jammed workpiece could cause loss of control or damage to the mitre saw.
- ▶ **After finishing the cut, release the switch, hold the saw head down and wait for the blade to stop before removing the cut-off piece.** Reaching with your hand near the coasting blade is dangerous.
- ▶ **Hold the handle firmly when making an incomplete cut or when releasing the switch before the saw head is completely in the down position.** The braking action of the saw may cause the saw head to be suddenly pulled downward, causing a risk of injury.
- ▶ **Keep your work area clean.** Material mixtures are particularly hazardous. Light metal dust may catch fire or explode.
- ▶ **Do not use dull, cracked, bent or damaged saw blades.** Unsharpened or improperly set saw blades produce narrow kerf causing excessive friction, blade binding and kickback.
- ▶ **Do not use saw blades made from high speed steel (HSS).** Such saw blades can easily break.
- ▶ **Always use saw blades with correct size and shape (diamond versus round) of arbour holes.** Saw blades that do not match the mounting hardware of the saw will run off-centre, causing loss of control.
- ▶ **Never remove cuttings, wood chips, etc. from the cutting area while the power tool is running.** Always guide the tool arm back to the neutral position first and then switch the power tool off.
- ▶ **Do not touch the saw blade after working before it has cooled.** The saw blade becomes very hot while working.
- ▶ **Never make warning signs on the machine unrecognisable.**
- ▶ **The power tool is delivered with a laser warning sign (see table: “Symbols and their meaning”). Do not direct the laser beam at persons or animals and do not stare into the direct or reflected laser beam yourself.** You could blind somebody, cause accidents or damage your eyes.
- ▶ **If laser radiation hits your eye, you must close your eyes and immediately turn your head away from the beam.**
- ▶ **Do not use any optical instruments such as binoculars to view the radiation source.** Doing so can damage your eye.
- ▶ **Do not direct the laser beam at persons who are looking through binoculars or similar instruments.** Doing so can damage their eye.
- ▶ **Do not make any modifications to the laser equipment.** The setting options described in these operating instructions can be used safely.
- ▶ **Do not use the laser goggles as protective goggles.** The laser goggles make

the laser beam easier to see; they do not protect you against laser radiation.

- ▶ **Do not use the laser goggles as sunglasses or while driving.** The laser goggles do not provide full UV protection and impair your ability to see colours.
- ▶ **Warning! If operating or adjustment devices other than those specified here are used or other procedures are carried out, this can lead to dangerous exposure to radiation.**
- ▶ **Do not replace the integrated laser with a laser of another type.** A laser that is not compatible with this power tool could pose a risk to persons.

**Product Description and Specifications**

 **Read all safety warnings and all instructions.** Failure to follow the warnings and instructions may result in electric shock, fire and/or serious injury.

**Intended Use**

The power tool is a stationary machine for cutting in a straight line with and against the grain in hardwood, softwood, chipboard and fibreboard. It is possible to cut mitre angles of -47° to +47° and bevel angles of 0° to +45°.

When using appropriate saw blades, sawing aluminium profiles and plastic is also possible.

**Product Features**

The numbering of the product features refers to the illustration of the machine on the graph-ic page.

1. Handle
2. On / off switch
3. Lock switch
4. Engine
5. Movable saw blade guard
6. Saw blade
7. Clamping device
8. Table extension
9. Table extension set screw
10. Insert into the table
11. Lock handle
12. Rotary table angle indicator
13. Turntable scale
14. Rotary table
15. Fixed saw table
16. Front stop
17. Movable stop bar
18. Clamping screw
19. Dust collector
20. Depth gauge
21. Sliding roller
- 22 Set screw for rail

23. Support for tilt and horizontal movement
24. Tilt angle fixing screw
25. Transport fuse
26. Cutting depth limiting screw
27. Stop to limit the cutting depth
28. Adjusting screw (90 °)
29. Adjusting screw (45 °)
30. Clamping flange
31. Flange screw
32. Blocking the saw shaft
33. Support flange
34. Laser pointer
35. On / off laser switch
36. Speed control switch
37. Rotary table angle lock
38. Roll-over protection
39. Adjustable support

**Technical parameter**

Model	PCM255-C3
Rated voltage	220 V~/50 Hz
Rated output power	2000 W
Rated speed	3200/4500 r/min
Saw blade diameter	255 mm
Weight	16 kg

**Contents of delivery**

- Miter saw 1 pc
- Vacuum bag 1 pc
- Hex wrench 1 pc
- Instruction manual 1 pc

**Note**

Since the product is constantly being improved, P.I.T. reserves the right to make changes to the specifications and product specifications specified here without prior notice.

**Assembly**

- ▶ **Pull the plug out of the socket before carrying out any work on the power tool.**

Note: Check the power tool for possible damage.

Before continuing to use the power tool, carefully check that all protective devices or slightly damaged parts are working perfectly and according to specifications. Check that the moving parts are working perfectly and without jamming;

check whether any parts are damaged. All parts must be fitted correctly and all the conditions necessary to ensure smooth operation must be met.

If the protective devices or any parts become damaged, you must have them properly re-

paired or replaced by an authorised service centre.

### Fitting the transport handle (see figure A)

- Screw the transport handle into the corresponding threads with the screws supplied.

### Stationary or flexible mounting

- To ensure safe handling, the power tool must be mounted on a flat, stable work surface (e.g. work bench) before use.

### Flexible installation (see figure B)

If, in exceptional circumstances, it is not possible to mount the power tool on a flat and stable work surface, you can improvise by setting it up with the tilt protector.

- ▶ **Without the tilt protector, the power tool will not be stable and can tip over especially when sawing maximum mitre and/or bevel angles.**
- Rotate the tilt protector inwards or outwards until the power tool is positioned straight on the work surface.

### Dust/Chip Extraction

The dust from materials such as lead paint, some types of wood, minerals and metal can be harmful to human health.

Touching or breathing in this dust can trigger allergic reactions and/or cause respiratory illnesses in the user or in people in the near vicinity.

Certain dusts, such as oak or beech dust, are classified as carcinogenic, especially in conjunction with wood treatment additives (chromate, wood preservative). Materials containing asbestos may only be machined by specialists.

- Use a dust extraction system that is suitable for the material wherever possible.
- Provide good ventilation at the workplace.
- It is advisable to wear a P2 filter class breathing mask.

The regulations on the material being machined that apply in the country of use must be observed.

- ▶ **Avoid dust accumulation at the work-place.** Dust can easily ignite.

Dust / swarf removal may be blocked due to a clogged dust extraction tube.

- Switch off the power tool and.
- Wait for the saw blade to come to a complete stop.
- Find the cause of poor dust extraction and eliminate it.

### Self-generated dust extraction (see figure C)

For basic chip collection, use the dust bag provided.

- Attach the dust bag to the chip ejector. During sawing, the dust bag must not come into contact with moving tool components. Always empty the dust bag in good time.

- ▶ **Check and clean the dust bag each time after using.**

- ▶ **When sawing aluminium, remove the dust bag to avoid the risk of fire.**

### External Dust Extraction

You can also attach a dust extraction hose to the chip ejector for extraction.

- Connect the dust extraction hose to the chip ejector.

The dust extractor must be suitable for the material being worked.

When extracting dry dust that is especially detrimental to health or carcinogenic, use a special dust extractor.

### Changing the Saw Blade

- ▶ **Wear protective gloves when fitting the saw blade.** There is a risk of injury when touching the saw blade.

### Assembly with hex socket screw (see figures D1-D4)

#### Removing the saw blade

- Bring the power tool into the work position.
- Turn the hex socket screw using the hex key while pressing the spindle lock until it engages.
- Press and hold the spindle lock and loosen the screw by turning it clockwise (left-hand thread).
- Remove the clamping flange.
- Swivel the retracting blade guard backwards as far as possible.
- Hold the retracting blade guard in this position and remove the saw blade.
- Slowly push the retracting blade guard back down.

#### Fitting the saw blade

- ▶ **When fitting the saw blade, make sure that the cutting direction of the teeth (arrow direction on the saw blade) matches the direction of the arrow on the protective guard.**

If required, clean all the parts you want to fit before installing them.

- Swivel the retracting blade guard backwards as far as possible and hold it in this position.
- Place the new saw blade onto the interior clamping flange.
- Slowly push the retracting blade guard back down.
- Put on the clamping flange and the screw. Press the spindle lock until it engages and

tighten the screw by turning it anticlockwise.

## Operation

### Transport Safety Lock (see figure E)

The transport safety lock makes it easier to handle the power tool when transporting it to various working locations.

### Unlocking the power tool (work position)

- Press the tool arm down slightly by the handle to release the transport safety lock.
- Pull the transport safety lock all the way out.
- Slowly guide the tool arm upwards.

### Locking the power tool (transport position)

- Loosen the locking screw if it is clamping the slide device in place. Pull the tool arm fully forward and tighten the locking screw again to lock the slide device.
- Screw the adjusting screw all the way upwards.
- To lock the saw table in place, tighten the locking knob.
- Swing the tool arm downwards by the handle until you can press the transport safety lock completely inwards.

The tool arm is now securely locked and ready for transportation.

## Preparing for operation

### Extending the saw table (see figure F)

The free end of long workpieces must have something placed underneath it or be supported.

The saw table can be extended left and right using the saw table extensions.

- Loosen the clamping screw.
- Pull out the saw table extension to the required length.
- Retighten the clamping screw to fix the saw table extension.

### Moving the fence (see figure G)

You have to move the adjustable fence to saw bevel angles.

- Loosen the locking screw.
- Pull the adjustable fence all the way out.
- Re-tighten the locking screw.

After sawing the bevel angles, slide the adjustable fence back again (loosen the locking screw; slide the fence completely inward; re-tighten the locking screw).

### Clamping the Workpiece (see figure H)

To ensure maximum safety while working, the workpiece must always be firmly clamped.

Do not saw workpieces that are too small to clamp firmly.

- Press the workpiece firmly against the

fences.

- Insert the supplied screw clamp into one of the corresponding holes.
- Adjust the threaded rod of the screw clamp to the workpiece height.
- Tighten the threaded rod to fix the workpiece in place.

### Setting mitre and bevel angles

To ensure precise cuts, the basic settings of the power tool must be checked and adjusted as necessary after intensive use.

► **Always tighten the locking knob firmly before sawing.** Otherwise the saw blade can become wedged in the workpiece.

### Setting mitre angles (see figure I)

The horizontal cutting angle can be adjusted in a wide range.

- Press the lock lever.
- Press the turntable angle lock, turn the saw table by the locking knob to the left or right, and use the saw angle indicator to set the desired horizontal angle.

### Setting Bevel Angles (see figure K)

The bevel angle can be set between 0° and 45°.

- Loosen the clamping handle.
- Use the handle to swivel the tool arm until the angle indicator shows the required bevel angle.
- Hold the tool arm in this position and re-tighten the clamping handle.

**End stops are provided on the housing that enable the standard angles of 0° and 45° to be set quickly and accurately.**

- Loosen the clamping handle.
- Swivel the tool arm by the handle all the way to the right (0°) or all the way to the left (45°).
- Retighten the clamping handle.

## Start-up

### Switching on (see figure J)

- To start the power tool, first press the lock-off button. Then press the on/off switch all the way in and keep it pressed.
- Two high-speed modes of operation: high allows you to work not only with wood, but also non-ferrous metals, and low with ferrous metal, including steel.

**Note:** For safety reasons, the on/off switch cannot be locked; it must remain pressed during the entire operation.

### Switching off

- To **switch off**, release the on/off switch.



## Practical advice

### Marking the cutting line (see figure L)

A laser beam shows you the cutting line of the saw blade.

This allows for exact positioning of the workpiece for sawing, without having to open the retracting blade guard.

- To do this, turn on the laser beam, by briefly pressing the switch.
- Align your mark on the workpiece with the right-hand edge of the laser line.

**Note:** Before sawing, check if the cutting line is still indicated correctly. The laser beam can be misplaced due to vibrations from intensive use, for example.

### Replacing insert plates (see figure M)

The insert plates can become worn after prolonged use of the power tool.

Replace faulty insert plates.

- Bring the power tool into the work position.
- Loosen the screws using the hex key and remove the old insert plates.
- Insert the new right-hand insert plate.
- Screw the insert plate as far as possible to the right with the screws so that the saw blade does not come into contact with the insert plate over the entire length of the possible slide motion.
- Repeat the work steps in the same manner for the new left-hand insert plate.

## Sawing

### General sawing instructions

- ▶ **Always tighten the locking knob and the clamping handle firmly before sawing. Otherwise the saw blade can become wedged in the workpiece.**
- ▶ **For all cuts, it must first be ensured that the saw blade at no time can come in contact with the fence, screw clamps or other machine parts. Remove any mounted auxiliary stops or adjust them accordingly.**

Protect the saw blade against impact and shock. Do not subject the saw blade to lateral pressure.

Only saw materials which are permitted within the scope of the intended use.

Do not saw warped/bent workpieces. The workpiece must always have a straight edge to face against the fence.

The free end of long and heavy workpieces must have something placed underneath it or be supported.

Make sure that the retracting blade guard operates properly and that it can move freely.

The retracting blade guard must open when the tool arm is guided downwards. When the tool arm is guided upwards, the retracting blade guard must close again over the saw blade and lock in the uppermost position of the tool arm.

### Sawing without slide movement (cutting off) (see figure N)

- For cuts without slide movement (small workpieces), loosen the locking screw if it is tightened. Push the tool arm all the way towards the fence and retighten the locking screw.
- Set the required mitre and/or bevel angle as necessary.
- Press the workpiece firmly against the fences.
- Firmly clamp the workpiece as appropriate for its dimensions.
- Switch the power tool on.
- Slowly guide the tool arm downwards using the handle.
- Saw through the workpiece applying uniform feed.
- Switch off the power tool and wait until the saw blade has come to a complete stop.
- Slowly guide the tool arm upwards.

### Sawing with slide movement

- For cuts made using the slide device (wide workpieces), loosen the locking screw if it is tightened.
- Set the required mitre and/or bevel angle as necessary.
- Press the workpiece firmly against the fences.
- Firmly clamp the workpiece as appropriate for its dimensions.
- Pull the tool arm away from the fence until the saw blade is in front of the workpiece.
- Switch the power tool on.
- Slowly guide the tool arm downwards using the handle.
- Now push the tool arm towards the fences and saw through the workpiece with uniform feed.
- Switch off the power tool and wait until the saw blade has come to a complete stop.
- Slowly guide the tool arm upwards.

### Adjusting the depth stop (sawing the groove) (see figure O)

The depth stop needs to be adjusted if you wish to saw a groove.

- Swivel the depth stop outwards.
- Swivel the tool arm by the handle into the required position.
- Turn the adjusting screw until the end of

the screw touches the depth stop.

- Slowly guide the tool arm upwards.

### Special workpieces

When sawing curved or round workpieces, these must be especially secured against slipping. At the cutting line, there should be no gap between the workpiece, fence and saw table.

If necessary, you will need to manufacture special fixtures.

## Checking and Adjusting the Basic Settings

To ensure precise cuts, the basic settings of the power tool must be checked and adjusted as necessary after intensive use.

### Adjusting the laser

**Note:** To test the laser function, the power tool must be connected to the power supply.

- ▶ **While adjusting the laser (e.g. when moving the tool arm), never activate the on/off switch.** Starting the power tool accidentally can lead to injuries.
- Bring the power tool into the work position.
- Turn the saw table to the 0° detent. The lever must be felt to engage in the detent.

### Aligning the mitre angle indicator (see figure P)

- Bring the power tool into the work position.
- Turn the saw table to the 0° detent. The lever must be felt to engage in the detent.

### Checking

The angle indicator must be in line with the 0° mark of the scale.

### Setting

- Loosen the screw using a cross-headed screwdriver and align the angle indicator along the 0° mark.
- Retighten the screw.

### Transport (see figure Q)

Before transporting the power tool, the following steps must be carried out:

- Loosen the locking screw if it is tightened. Pull the tool arm fully forwards and retighten the locking screw.
- Bring the power tool into the transport position.
- Remove all accessories that cannot be securely fitted to the power tool.
- If possible, transport unused saw blades in a closed container.
- Carry the power tool by the transport handle.
- ▶ **Only use the transport devices to transport the power tool and never the protective devices.**

## Maintenance and Service

### Maintenance and Cleaning

- ▶ **Before any work on the machine itself, pull the mains plug.**
- ▶ **For safe and proper working, always keep the machine and ventilation slots clean.**
- ▶ **The pendulum guard must always move freely and close independently. Therefore, always keep the area around the pendulum guard clean.**
- ▶ **After each work step, remove dust and chips with a compressed air jet or brush.**
- ▶ **Clean the slide roller regularly.**

When the battery is no longer operative, please refer to an authorised after-sales service agent for P.I.T. power tools.

### Service

Have your power tool repaired only by qualified personnel and only with original replacement parts. This ensures the safety of the power tool.

The list of authorized service centers can be viewed on the official website of P.I.T. by the link: <https://pitttools.ru/services/>

### Storage and transportation

Store the instrument in an enclosed area with natural ventilation in its packaging at an air temperature from 0 ° C to + 50 ° C and an air humidity of no more than 80%.

Products can be transported by any type of closed transport in the manufacturer's packaging or without it, while preserving the product from mechanical damage, atmospheric precipitation. Remove the exchange tool from the power tool before transporting it.

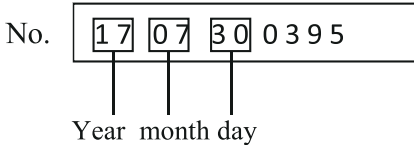
**Dispose of waste**



Damaged power tools, batteries, accessories and waste packaging materials must be recycled and reused in an environmentally friendly manner.

Do not throw power tools and accumulators / batteries into general household waste!

**Product serial number interpretation**



The first and second digits of the product serial number from left to right

Year of production, the third and fourth digits indicate the month of production, the fifth and sixth digits indicate the production day.

**TERMS OF WARRANTY SERVICE**

1. This Warranty Certificate is the only document that confirms your right to free warranty service. Without presenting this certificate, no claims are accepted. In case of loss or damage, the warranty certificate is not restored.

2. The warranty period for the electric machine is 12 months from the date of sale, during the warranty period the service department eliminates manufacturing defects and replaces parts that have failed due to the fault of the manufacturer free of charge. In the warranty repair, an equivalent operable product is not provided. Replaceable parts become property of service providers.

P.I.T is not liable for any damage that may be caused by operation of the electric machine.

3. Only clean tool accompanied with the following duly executed documents: this Warranty Certificate, Warranty Card, with all fields filled out, bearing the stamp of the trade organization and the signature of the buyer, shall be accepted for warranty repair.

4. Warranty repair is not performed in the following cases:

- in the absence of a Warranty Certificate and a Warranty Card or their incorrect execution;
- with failure of both a rotor and a stator of the electric engine, charring or melting of primary winding of the welding machine transformer, charging or starting-charging device, with internal parts melting, burn down of electronic circuit boards;
- if a Warranty Certificate or a Warranty Card does not correspond to this electric machine

- or to the form established by the supplier;
- upon expiration of the warranty period;
- at attempts of opening or repair of the electric machine outside the warranty workshop; making constructive changes and lubrication of the tool during the warranty period, as evidenced, for example, by the creases on the spline parts of the fasteners of non-rotational parts.

- when using electric tools for production or other purposes connected with making a profit, as well as in case of malfunctions related to instability of the power network parameters exceeding the norms established by GOST;
- in the events of improper operation (use the electric machine for other than intended purposes, attachments to the electric machine of attachments, accessories, etc. not provided by the manufacturer);
- with mechanical damage to the case, power cord and in case of damages caused by aggressive agents and high and low temperatures, ingress of foreign objects in the ventilation grids of the electric machine, as well as in case of damage resulting from improper storage (corrosion of metal parts);

- natural wear and tear on the parts of the electric machine, as a result of long-term operation (determined on the basis of the signs of full or partial depletion of the specified mean life, great contamination, presence of rust outside and inside the electric machine, waste lubricant in the gearbox);
- use of the tool the purposes for other than specified in the operating instructions.
- mechanical damages to the tool;
- in the event of damages due to non-observance of the operating conditions specified in the instruction (see chapter "Safety Precautions" of the Manual).
- damage to the product due to non-observance of the rules of storage and transportation.
- in case of strong internal contamination of the tool.

Preventive maintenance of electric machines (cleaning, washing, lubrication, replacement of anthers, piston and sealing rings) during the warranty period is a paid service.

The service life of the product is 3 years. Shelf life is 2 years. It is not recommended for operation after 2 years of storage from the date of manufacture, which is indicated in the serial number on the label of the instrument, without preliminary verification (for the definition of the date of manufacture, see the User's Manual

earlier).

The owner is notified of any possible violations of the above terms of warranty service upon completion of diagnostics in the service center.

The owner of the tool entrusts the diagnostic procedure to be conducted in the service center in his absence.

Do not operate the electric machine when there are signs of excessive heat, sparking, or noise in the gearbox. To determine the cause of the malfunction, the buyer should contact the warranty service center.

Malfunctions caused by late replacement of carbon brushes of the engine are eliminated at the expense of the buyer.

5. The warranty does not cover:

- replacement accessories (accessories and components), for example: batteries, discs, blades, drill bits, borers, chucks, chains, sprockets, collet clamps, guide rails, tension and fastening elements, trimming device heads, base of grinding and belt sander machines, hexagonal heads, etc.,
- fast wearing parts, for example: carbon brushes, drive belts, seals, protective covers, guiding rollers, guides, rubber seals, bearings, toothed belts and wheels, shanks, brake belts, starter ratchets and ropes, piston rings, etc. Their replacement during the warranty period is a paid service;
- power cords, in case of damage to the insulation, power cords are subject to mandatory replacement without the consent of the owner (paid service);
- tool case.

## Русский

## Указания по технике безопасности

## Общие указания по технике безопасности для электроинструментов

**ПРЕДУПРЕЖДЕНИЕ**

Прочтите все указания и инструкции по технике безопасности.

Несоблюдение указаний и инструкций по технике безопасности может стать причиной поражения электрическим током, пожара и тяжелых травм.

**Сохраняйте эти инструкции и указания для будущего использования.**

Использованное в настоящих инструкциях и указаниях понятие «электроинструмент» распространяется на электроинструмент с питанием от сети (с сетевым шнуром) и на аккумуляторный электроинструмент (без сетевого шнура).

**Безопасность рабочего места**

- ▶ **Содержите рабочее место в чистоте и хорошо освещенным.** Беспорядок или неосвещенные участки рабочего места могут привести к несчастным случаям.
- ▶ **Не работайте с этим электроинструментом во взрывоопасном помещении, в котором находятся горючие жидкости, воспламеняющиеся газы или пыль.** Электроинструменты искрят, что может привести к воспламенению пыли или паров.
- ▶ **Во время работы с электроинструментом не допускайте близко к Вашему рабочему месту детей и посторонних лиц.** Отвлечшись, Вы можете потерять контроль над электроинструментом.

**Электробезопасность**

- ▶ **Штепсельная вилка электроинструмента должна подходить к штепсельной розетке.** Ни в коем случае не изменяйте штепсельную вилку. Не применяйте переходные штекеры для электроинструментов с защитным заземлением. Неизмененные штепсельные вилки и подходящие штепсельные розетки снижают риск поражения электротоком.
- ▶ **Предотвращайте телесный контакт с заземленными поверхностями, как то: с трубами, элементами отопления, кухонными плитами и холодильниками.** При заземлении Вашего тела повышается риск поражения электротоком.
- ▶ **Защищайте электроинструмент от до-**

жда и сырости. Проникновение воды в электроинструмент повышает риск поражения электротоком.

- ▶ **Не разрешается использовать шнур не по назначению, например, для транспортировки или подвески электроинструмента, или для вытягивания вилки из штепсельной розетки. Защищайте шнур от воздействия высоких температур, масла, острых кромок или подвижных частей электроинструмента.** Поврежденный или спутанный шнур повышает риск поражения электротоком.
- ▶ **При работе с электроинструментом под открытым небом применяйте пригодные для этого кабели удлинители.** Применение пригодного для работы под открытым небом кабеля удлинителя снижает риск поражения электротоком.
- ▶ **Если невозможно избежать применения электроинструмента в сыром помещении, подключайте электроинструмент через устройство защитного отключения.** Применение устройства защитного отключения снижает риск электрического поражения.

**Безопасность людей**

- ▶ **Будьте внимательными, следите за тем, что Вы делаете, и продуманно начинайте работу с электроинструментом.** Не пользуйтесь электроинструментом в усталом состоянии или если Вы находитесь в состоянии наркотического или алкогольного опьянения или под воздействием лекарств. Один момент невнимательности при работе с электроинструментом может привести к серьезным травмам.
- ▶ **Применяйте средства индивидуальной защиты.** Всегда носите защитные очки. Использование средств индивидуальной защиты, как то: защитной маски, обуви на нескользящей подошве, защитного шлема или средств защиты органов слуха, в зависимости от вида работы с электроинструментом снижает риск получения травм.
- ▶ **Предотвращайте непреднамеренное включение электроинструмента.** Перед подключением электроинструмента к электропитанию и/или к аккумулятору убедитесь в выключенном состоянии электроинструмента. Удержание пальца на выключателе при-



транспортировке и подключение к сети питания включенного электроинструмента чревато несчастными случаями.

- ▶ **Убирайте установочный инструмент или гаечные ключи до включения электроинструмента.** Инструмент или ключ, находящийся во вращающейся части электроинструмента, может привести к травмам.
- ▶ **Не принимайте неестественное положение корпуса тела. Всегда занимайте устойчивое положение и сохраняйте равновесие.** Благодаря этому Вы можете лучше контролировать электроинструмент в неожиданных ситуациях.
- ▶ **Носите подходящую рабочую одежду. Не носите широкую одежду и украшения. Держите волосы, одежду и рукавицы вдали от движущихся частей.** Широкая одежда, украшения или длинные волосы могут быть затянuty вращающимися частями.
- ▶ **При наличии возможности установки пылеотсасывающих и пылесборных устройств проверяйте их присоединение и правильное использование.** Применение пылесоса может снизить опасность, создаваемую пылью.
- ▶ **Хорошее знание электроинструментов, полученное в результате частого их использования, не должно приводить к самоуверенности и игнорированию техники безопасности обращения с электроинструментами.** Одно небрежное действие за долю секунды может привести к серьезным травмам.
- ▶ **ВНИМАНИЕ!** В случае возникновения перебоя в работе электроинструмента вследствие полного или частичного прекращения энергоснабжения или повреждения цепи управления энергоснабжением установите выключатель в положение Выкл., убедившись, что он не заблокирован (при его наличии). Отключите сетевую вилку от розетки или отсоедините съёмный аккумулятор. Этим предотвращается неконтролируемый повторный запуск.

**Применение электроинструмента и обращение с ним**

- ▶ **Не перегружайте электроинструмент. Используйте для Вашей работы предназначенный для этого электроинструмент.** С подходящим электроинструментом Вы работаете лучше и надежнее в указанном диапазоне мощ-

ности.

- ▶ **Не работайте с электроинструментом при неисправном выключателе.** Электроинструмент, который не поддается включению или выключению, опасен и должен быть отремонтирован.
- ▶ **До начала наладки электроинструмента, перед заменой принадлежностей и прекращением работы отключайте штепсельную вилку от розетки сети и/или выньте аккумулятор.** Эта мера предосторожности предотвращает непреднамеренное включение электроинструмента.
- ▶ **Храните электроинструменты в недоступном для детей месте. Не разрешайте пользоваться электроинструментом лицам, которые не знакомы с ним или не читали настоящих инструкций.** Электроинструменты опасны в руках неопытных лиц.
- ▶ **Тщательно ухаживайте за электроинструментом.** Проверяйте безупречную функцию и ход движущихся частей электроинструмента, отсутствие поломок или повреждений, отрицательно влияющих на функцию электроинструмента. Поврежденные части должны быть отремонтированы до использования электроинструмента. Плохое обслуживание электроинструментов является причиной большого числа несчастных случаев.
- ▶ **Держите режущий инструмент в заточенном и чистом состоянии.** Заботливо ухоженные режущие инструменты с острыми режущими кромками режут заклиниваются и их легче вести.
- ▶ **Применяйте электроинструмент, принадлежности, рабочие инструменты и т. п. в соответствии с настоящими инструкциями.** Учитывайте при этом рабочие условия и выполняемую работу. Использование электроинструментов для непредусмотренных работ может привести к опасным ситуациям.
- ▶ **Держите ручки и поверхности захвата сухими и чистыми, следите чтобы на них чтобы на них не было жидкой или консистентной смазки.** Скользкие ручки и поверхности захвата препятствуют безопасному обращению с инструментом и не дают надежно контролировать его в непредвиденных ситуациях.

## Указания по технике безопасности для тоцовочно-усорезочных пил

- ▶ Торцовочно-усорезные пилы предназначены для резки дерева и подобных дереву материалов, запрещается их использование с абразивными отрезными дисками для резки черных металлов, напр., прутьев, стержней, штифтов и т.д. Пыль от шлифования ведет к заеданию движущихся частей, напр., нижнего защитного кожуха. Искры, образующиеся при абразивной резке, могут прожечь нижний защитный кожух, вставку в прорези для диска и прочие пластиковые части.
- ▶ Всегда, когда возможно, используйте струбцины для фиксации обрабатываемой детали. В случае прерывания обрабатываемой детали рукой обязательно держите руку на расстоянии не менее 100 мм от любой из сторон пильного диска. Не используйте эту пилу для резки заготовок, размер которых слишком мал для надежного закрепления или удерживания рукой. При слишком близком расположении руки от пильного диска повышается риск травмы от контакта с пильным диском.
- ▶ Обрабатываемая заготовка должна быть неподвижной и зажатой или удерживаться рукой с опорой одновременно на ограждение и на стол. Никогда не подавайте обрабатываемую заготовку под пильный диск и не выполняйте резку на весу. Незажатые или движущиеся обрабатываемые заготовки могут быть отброшены с большой скоростью, что может стать причиной травм.
- ▶ Проталкивайте пильный диск сквозь обрабатываемую заготовку. Не протягивайте пильный диск сквозь обрабатываемую заготовку на себя. Чтобы сделать рез, поднимите ручку пилы, протяните на себя верх обрабатываемой заготовки без разрезания, запустите двигатель, надавите на ручку пилы сверху вниз и протолкните пильный диск сквозь обрабатываемую заготовку. Резание при движении на себя скорее всего приведет к тому, что пильный диск сядет на обрабатываемую заготовку и будет резко выброшен

в сторону оператора.

- ▶ Рука никогда не должна пересекать предполагаемую линию реза ни спереди, ни сзади пильного диска. Придерживание обрабатываемой заготовки перекрещенными руками, т.е. удерживание обрабатываемой заготовки справа от пильного диска левой рукой или наоборот, очень опасно.
- ▶ Не протягивайте руку за ограждение ближе, чем на 100 мм от любой из сторон пильного диска, ни для удаления древесной стружки, ни для чего-либо еще, если диск еще вращается. Близость вращающегося пильного диска к руке может быть недооценена, что может привести к тяжелым травмам.
- ▶ Осмотрите обрабатываемую заготовку перед резанием. Если обрабатываемая заготовка имеет изогнутую или крученую форму, закрепляйте ее внешней поверхностью изгиба к ограждению. Всегда следите за тем, чтобы по линии разреза отсутствовал зазор между обрабатываемой заготовкой, ограждением и столом. Обрабатываемые заготовки изогнутой или крученой формы могут перекрутиться или сдвинуться, что может привести к заеданию вращающегося пильного диска во время резки. В обрабатываемой заготовке не должно быть гвоздей или инородных тел.
- ▶ Используйте пилу только после того, как стол будет очищен от всех инструментов, обрезков дерева и т.д., за исключением обрабатываемой заготовки. Мелкий мусор или кусочки дерева или прочие предметы, входя в контакт с вращающимся пильным диском, могут быть отброшены с большой скоростью.
- ▶ Режьте обрабатываемые заготовки только по одной за раз. Уложенные стопкой обрабатываемые заготовки невозможно как следует зажать или скрепить, поэтому они могут зажать пильный диск или сдвинуться во время резания.
- ▶ Перед использованием убедитесь в том, что торцовочно-усорезная пила смонтирована или установлена на ровной, стабильной рабочей поверхности. Ровная и стабильная рабочая поверхность снижает риск шатания торцовочно-усорезной пилы.

- ▶ **Планируйте свою работу.** Каждый раз при изменении настройки вертикального или горизонтального угла распила убедитесь в том, что регулируемое ограждение правильно настроено для поддержки обрабатываемой заготовки и не будет мешать пильному диску или системе защиты. Не включая электроинструмент в положение «ВКЛ» и не помещая обрабатываемую заготовку на стол, полностью проведите пильный диск по воображаемому разрезу, чтобы убедиться в отсутствии помех или опасности порезать ограждение.
- ▶ **Обеспечивайте адекватную опору,** напр., дополнительные столы, козлы и т.д. для обрабатываемой заготовки, превышающей размер стола по ширине или длине. Если обрабатываемая заготовка длиннее или шире стола торцовочно-усорезной пилы, то без соответствующей опоры она может наклониться. Если отрезаемая часть или обрабатываемая заготовка наклонится, она может поднять нижний защитный кожух или может быть отброшена вращающимся пильным диском.
- ▶ **Не используйте других людей в качестве дополнительного стола или подпорки.** Нестабильная опора обрабатываемой заготовки может привести к зажатию пильного диска или сдвигу обрабатываемой заготовки во время резания, из-за чего Вас и Вашего помощника может затянуть под вращающийся пильный диск.
- ▶ **Отрезаемая часть не должна быть зажата или придавлена чем-либо к вращающемуся пильному диску.** При зажатии, т.е. при использовании упора для установки длины, отрезаемая часть может заклинить пильным диском и может быть резко отброшена.
- ▶ **Всегда используйте струбцину или зажимное устройство, предназначенное для надежного закрепления круглых материалов, напр., стержней или труб.** Стержни обычно укачиваются при резке, изза чего пильный диск может “закусывать” и тянуть обрабатываемую заготовку вместе с рукой под пильный диск.
- ▶ **Дайте пильному диску разогнаться до полной скорости перед тем, как прикоснуться к обрабатываемой заготовке.** Это снижает риск отбрасывания обрабатываемой заготовки.
- ▶ **Если обрабатываемую заготовку или пильный диск заело, выключите торцовочно-усорезную пилу.** Подождите, пока все движущиеся части не остановятся, и извлеките вилку из розетки сети питания и/или извлеките батарею. Затем освободите зажатый материал. Если продолжить резать заевшую обрабатываемую заготовку, можно утратить контроль над торцовочно-усорезной пилой или повредить ее.
- ▶ **По завершении резания, отпустите выключатель, опустите головку пилы вниз и подождите, пока пильный диск не остановится, и лишь затем убирайте отрезанную часть.** Приближать руку к движущемуся по инерции пильному диску опасно.
- ▶ **Крепко держите ручку, выполняя неполный прорез или отпуская выключатель до того, как головка пилы полностью опустится вниз.** При торможении пилы головку пилы может внезапно потянуть вниз, что ведет к риску получения травмы.
- ▶ **Содержите рабочее место в чистоте.** Смеси материалов особенно опасны. Пыль легких металлов может возгораться или взрываться.
- ▶ **Не применяйте тупые, треснувшие, погнутые или поврежденные пильные диски.** Пильные диски с тупыми или неправильно разведенными зубьями ведут в результате очень узкого пропила к повышенному трению, заклиниванию диска и к обратному удару.
- ▶ **Не применяйте пильные диски из высоколегированной быстрорежущей стали (сталь HSS).** Такие диски могут легко разломаться.
- ▶ **Всегда используйте пильные диски правильного размера и с подходящим посадочным отверстием (напр., ромбовидной или круглой формы).** Пильные диски, не соответствующие крепежным частям пилы, вращающиеся с биением и ведут к потере контроля над инструментом.
- ▶ **Никогда не удаляйте обрезки материала, стружку и т. п. из зоны резания во время работы электроинструмента.** Вначале приведите кронштейн рабочего инструмента в состояние покоя и затем выключайте электроинструмент.

- ▶ **Не касайтесь пильного диска после работы, пока он не остынет.** При работе пильный диск сильно нагревается.
- ▶ **Электроинструмент поставляется с предупредительной табличкой лазерного излучения (см. таблицу «Символы и их значение»).** Не направляйте луч лазера на людей или животных и сами не смотрите на прямой или отражаемый луч лазера. Этот луч может слепить людей, стать причиной несчастного случая или повредить глаза.
- ▶ **В случае попадания лазерного луча в глаз глаза нужно намеренно закрыть и немедленно отвернуться от луча.**
- ▶ **Не смотрите на источник излучения через фокусирующие оптические инструменты, напр., бинокль.** Это чревато повреждением глаз.
- ▶ **Не направляйте лазерный луч на людей, смотрящих в бинокль или аналогичные приборы.** Это чревато повреждением их глаз.
- ▶ **Не меняйте ничего в лазерном устройстве.** Описанные в настоящем руководстве по эксплуатации возможности по настройке не сопряжены с рисками.
- ▶ **Не используйте очки для работы с лазерным инструментом в качестве защитных очков.** Очки для работы с лазерным инструментом обеспечивают лучшее распознавание лазерного луча, но не защищают от лазерного излучения.
- ▶ **Не используйте очки для работы с лазерным инструментом в качестве солнцезащитных очков или за рулем.** Очки для работы с лазером не обеспечивают защиту от УФ-излучения и мешают правильному цветосприятию.
- ▶ **Осторожно – применение инструментов для обслуживания или юстировки или процедур техобслуживания, кроме указанных здесь, может привести к опасному воздействию излучения.**
- ▶ **Не меняйте встроенный лазер на лазер другого типа.** От лазера, не подходящего к этому электроинструменту, может исходить опасность для людей.

## Описание продукта и услуг



Прочтите все указания и инструкции по технике безопасности.

Упущения в отношении указаний и инструкций по технике безопасности могут стать

причиной поражения электрическим током, пожара и тяжелых травм.

Пожалуйста, откройте раскладную страницу с иллюстрациями электроинструмента и оставляйте ее открытой, пока Вы изучаете руководство по эксплуатации.

### Применение по назначению

Электроинструмент предназначен для использования на опоре для выполнения в древесине твердых и мягких пород, древесностружечных и древесноволокнистых плитах прямолинейных продольных и поперечных распилов.

Возможны горизонтальные углы распила от  $-47^\circ$  до  $+47^\circ$  и вертикальные углы распила от  $0^\circ$  до  $+45^\circ$ .

При использовании соответствующих пильных дисков возможно распиливание алюминиевых профилей и пластмассы.

### Изображенные составные части

Нумерация представленных компонентов выполнена по изображению на странице с иллюстрациями.

1. Ручка
2. Переключатель вкл / выкл
3. Переключатель блокировки
4. Двигатель
5. Подвижный кожух пильного полотна
6. Пильное полотно
7. Зажимное устройство
8. Удлинитель стола
9. Установочный винт удлинителя стола
10. Вставка в стол
11. Ручка блокировки
12. Указатель угла поворотного стола
13. Шкала поворотного стола
14. Поворотный стол
15. Фиксированный пильный стол
16. Фронтальный упор
17. Подвижная упорная планка
18. Зажимной винт
19. Пылесборник
20. Ограничитель глубины
21. Ролик скольжения
22. Установочный винт для направляющей
23. Супорт наклона и горизонтального перемещения
24. Винт фиксации угла наклона
25. Транспортный предохранитель
26. Винт ограничения глубины резания
27. Стоп для ограничения глубины резания
28. Регулировочный винт ( $90^\circ$ )
29. Регулировочный винт ( $45^\circ$ )
30. Зажимной фланец
31. Винт фланца
32. Блокировка вала пилы

- 33. Опорный фланец
- 34. Лазерный указатель
- 35. On / off переключатель лазера
- 36. Переключатель регулировки скорости
- 37. Фиксатор угла поворотного стола
- 38. Защита от опрокидывания
- 39. Регулируемая опора

#### Технические данные

Модель	PCM255-C3
Номинальные напряжение/частота	220 В / 50 Гц
Номинальная мощность	2000 Вт
Частота вращения, об/мин	3200/4500 об/мин
Диаметр пильного диска	255 мм
Вес	16 кг

#### Комплект поставки

Торцовочная пила	1 шт
Вакуумный пакет	1 шт
Ключ шестигранный	1 шт
Инструкция пользователя	1 шт

#### Примечание

Так как изделие постоянно совершенствуется, P.I.T. оставляет за собой право на внесение изменений в указанные здесь технические характеристики и комплектацию изделия без предварительного уведомления.

#### Сборка

► **Перед любыми манипуляциями с электроинструментом вытаскивайте штепсель из розетки.**

**Указание:** Проверьте электроинструмент на предмет возможных повреждений.

Перед использованием электроинструмента следует тщательно проверить защитные устройства или компоненты с возможностью легкого повреждения на предмет безупречной и соответствующей назначению функции. Проверьте безупречную функцию, свободный ход и исправность подвижных частей. Все части должны быть правильно установлены и выполнять все условия для обеспечения безупречной работы.

Поврежденные защитные устройства и компоненты должны быть отремонтированы квалифицированным персоналом в авторизованной специализированной мастерской или заменены.

#### Монтаж ручки для переноски (см. рис. А)

- Прикрутите ручку для переноски приложенными винтами в соответствующие резьбовые отверстия.

#### Стационарный или временный монтаж

► **Для обеспечения надежной работы электроинструмент должен быть до начала эксплуатации установлен на ровную и прочную рабочую поверхность (например, верстак).**

#### Гибкий монтаж (см. рис. В)

Если в виде исключения невозможно поставить электроинструмент на ровную и стабильную поверхность, можно использовать защиту от опрокидывания.

► **Без защиты от опрокидывания электроинструмент стоит нестабильно и, в особенности при пилении под максимальными горизонтальными и/или вертикальными углами распила, может опрокинуться.**

- Вкрутите или выкрутите защиту от опрокидывания настолько, чтобы электроинструмент ровно стоял на рабочей поверхности.

#### Удаление пыли и стружки

Пыль некоторых материалов, как напр., красок с содержанием свинца, некоторых сортов древесины, минералов и металлов, может быть вредной для здоровья.

Прикосновение к пыли и попадание пыли в дыхательные пути может вызвать аллергические реакции и/или заболевания дыхательных путей оператора или находящегося вблизи персонала.

Определенные виды пыли, напр., дуба и бука, считаются канцерогенными, особенно совместно с присадками для обработки древесины (хромат, средство для защиты древесины). Материал с содержанием асбеста разрешается обрабатывать только специалистам.

- По возможности используйте пригоду для материала систему пылеудаления.
- Хорошо проветривайте рабочее место.
- Рекомендуется пользоваться респираторной маской с фильтром класса P2.

Соблюдайте действующие в Вашей стране предписания для обрабатываемых материалов.

► **Избегайте скопления пыли на рабочем месте.** Пыль может легко воспламениться.

Удаление пыли/стружки может быть заблокировано из-за забившегося патрубка пылеудаления.

- Выключите электроинструмент и.
- Подождите, пока пильный диск остановится полностью.
- Найдите причину плохого пылеудаления и устраните ее.



### Собственная система пылеудаления (см. рис. С)

Для простого сбора стружки применяйте поставляемый пылесборный мешок.

- Наденьте мешок для пыли на патрубок для выброса опилок.

Во время работы мешок для пыли не должен соприкасаться с подвижными частями инструмента.

Своевременно опорожняйте мешок для пыли.

► **Проверяйте и очищайте пылесборный мешок каждый раз после использования.**

► **Во избежание опасности возгорания снимайте пылевой мешок при распиле алюминия.**

### Внешняя система пылеудаления

Для пылеудаления к патрубку для выброса опилок можно присоединить всасывающий шланг пылесоса.

- Присоедините всасывающий шланг пылесоса к патрубку для выброса опилок.

Пылесос должен быть пригоден для обрабатываемого материала.

Применяйте специальный пылесос для удаления особо вредных для здоровья видов пыли возбудителей рака или сухой пыли.

### Замена пильного диска

► **При установке пильного диска надевайте защитные перчатки.** Прикосновение к пильному диску может привести к травме.

### Монтаж с помощью винта с внутренним шестигранником (см. рис. D1–D4)

#### Демонтаж пильного диска

- Приведите электроинструмент в рабочее положение.
- Поверните винт с внутренним шестигранником с помощью ключа-шестигранника и одновременно прижмите фиксатор шпинделя, чтобы он вошел в зацепление.
- Держите фиксатор шпинделя нажатым и одновременно выверните винт по часовой стрелке (левая резьба!).
- Снимите зажимной фланец.
- Откиньте маятниковый защитный кожух до упора назад.
- Удерживайте маятниковый защитный кожух в этом положении и снимите пильный диск.
- Медленно отведите маятниковый кожух назад.

### Монтаж пильного диска

► **и Следите за тем, чтобы направление резания зубьев (стрелка на пильном диске) совпадало с направлением стрелки на маятниковом защитном кожухе!**

При необходимости очистите перед монтажом все монтируемые части.

- Отклоните маятниковый защитный кожух до упора назад и удерживайте его в этом положении.
- Насадите новый пильный диск на внутренний зажимной фланец.
- Медленно отведите маятниковый кожух назад.
- Поставьте зажимной фланец и винт. Нажмите фиксатор шпинделя, чтобы он вошел в зацепление, и затяните винт против часовой стрелки.

### Работа с инструментом

#### Транспортный предохранитель (см. рис. Е)

Транспортный предохранитель облегчает транспортировку электроинструмента к различным местам работы.

#### Снятие транспортного предохранителя (работное положение)

- Прижмите кронштейн за рукоятку слегка вниз, чтобы снять нагрузку с транспортного предохранителя.
- Вытяните транспортный предохранитель полностью наружу.
- Осторожно поднимите кронштейн рабочего инструмента.

#### Активирование транспортного предохранителя (транспортное положение)

- Отпустите фиксирующий винт, если тяговое устройство клинит. Потяните кронштейн рабочего инструмента полностью вперед и снова затяните фиксирующий винт, чтобы зафиксировать тяговое устройство.
- Выкрутите юстировочный винт до конца вверх.
- Для фиксации пильного стола зажмите ручку фиксации.
- Поверните кронштейн рабочего инструмента за рукоятку вниз настолько, чтобы транспортный предохранитель можно было полностью вдавить.

Кронштейн рабочего инструмента надежно зафиксирован в транспортном положении.

### Подготовка эксплуатации

#### Удлинение пильного стола (см. рис. F)

Свободный конец длинных заготовок дол-

жен лежать на опоре.

Пильный стол можно расширить влево или вправо с помощью удлинителей стола.

- Отпустите зажимной винт.
- Выдвиньте удлинитель стола наружу на необходимую длину.
- Для фиксации удлинителя стола опять затяните зажимной винт.

#### **Смещение упорной планки (см. рис. G)**

При пилении под вертикальным углом распила необходимо сдвинуть регулируемую упорную планку.

- Отпустите фиксирующий винт.
- Выдвиньте регулируемую упорную планку полностью наружу.
- Снова крепко затяните фиксирующий винт.

После пиления под вертикальным углом распила сдвиньте регулируемую упорную планку опять назад (отпустите фиксирующий винт; сдвиньте упорную планку до конца в направлении вовнутрь; опять затяните фиксирующий винт).

#### **Закрепление заготовки (см. рис. H)**

Для обеспечения оптимальной безопасности труда всегда закрепляйте заготовку.

Не обрабатывайте заготовки, размеры которых недостаточны для крепления.

- Крепко прижмите заготовку к упорным планкам и.
- Вставьте прилагающуюся струбцину в одно из предусмотренных для нее отверстий.
- Отрегулируйте резьбовой стержень струбцины под высоту заготовки.
- Туго затяните резьбовой стержень, закрепив таким образом заготовку.

### **Настройка горизонтального и вертикального угла распила**

Для обеспечения точного распила после интенсивной работы нужно проверить исходные настройки электроинструмента и при необходимости подправить.

- ▶ **До начала пиления всегда крепко затягивайте ручку фиксирования.** Иначе пильный диск может перекосяться в заготовке.

#### **Настройка горизонтального угла распила (см. рис. I)**

Горизонтальный угол распила можно регулировать в широком диапазоне.

- Нажмите рычаг блокировки.
- Нажмите на фиксатор угла поворотного стола, поверните пильный стол за ручку фиксирования влево или вправо и при

помощи указателя угла распила установите необходимый горизонтальный угол.

#### **Настройка вертикального угла распила (см. рис. K)**

Вертикальный угол распила настраивается в диапазоне от 0° до 45°.

- Отпустите зажимную ручку.
- Взявшись за рукоятку, поверните кронштейн рабочего инструмента до нужного вертикального угла распила на указателе угла.
- Держите кронштейн рабочего инструмента в этом положении и снова туго затяните зажимную ручку.

#### **Для быстрой и точной установки вертикальных стандартных углов 0° и 45° на корпусе имеются упоры.**

- Отпустите зажимную ручку.
- Для этого поверните кронштейн за рукоятку до упора вправо (0°) или до упора влево (45°).
- Снова туго затяните ручку фиксации.

### **Включение электроинструмента**

#### **Включение (см. рис. J)**

- Для **включения** электроинструмента нажмите сначала блокиратор выключателя. **Затем** полностью нажмите выключатель и удерживайте его нажатым.
- Два скоростных режима работы: высокий позволяет работать не только с деревом, но и цветными металлами, а низкий с черным металлом, в том числе сталью.

**Указание:** Из соображений безопасности выключатель не может быть зафиксирован и при работе следует постоянно нажимать на него.

#### **Выключение**

- Для выключения отпустите выключатель.

### **Указания по применению**

#### **Разметка линии реза (см. рис. L)**

Луч лазера указывает на линию разреза пильного диска.

Это позволяет очень точно располагать заготовку для раскроя, при этом не требуется открывать маятниковый защитный кожух.

- Для этого включите лазерный луч, коротко нажав на выключатель.
- Выровняйте разметку на заготовке по правой кромке лазерной линии.

**Указание:** Перед началом пиления проверьте, правильно ли указывается линия распила. При интенсивной эксплуатации, напр., из-за вибрации, настройка лазер-

ного луча может сбиться.

### Смена плит-вкладышей (см. рис. М)

После продолжительного применения электроинструмента возможен износ плит-вкладышей.

Заменяйте неисправные плиты-вкладыши.

- Приведите электроинструмент в рабочее положение.
- Выкрутите винты с помощью ключа-шестигранника и снимите старые плиты-вкладыши.
- Вложите новые исправные плиты-вкладыши.
- Привинтите плиту-вкладыш винтами как можно дальше справа так, чтобы по всей длине возможного тягового движения исключалось соприкосновение пыльного диска с плитой-вкладышем.
- Аналогично повторите эти рабочие операции для новой левой плиты-вкладыша.

## Пиление

### Общие указания для пиления

- ▶ **До начала пиления всегда крепко затягивайте ручку фиксирования и зажимную ручку.** Иначе пыльный диск может перекосяться в заготовке.
- ▶ **Независимо от пропила, сначала Вы должны исключить возможность прикосновения пыльного диска к упорной планке, струбцинам или другим частям инструмента.** Уберите возможные вспомогательные упоры или соответственным образом подгоните их.

Защищайте пыльные полотна от ударов и толчков. Не нажимайте сбоку на пыльный диск.

Распиливайте только материалы, допущенные в соответствии с назначением инструмента.

Не обрабатывайте покоробленные заготовки. Заготовка должна всегда иметь прямую кромку для прикладывания к упорной планке.

Длинные и тяжелые заготовки нужно подпереть или подложить что-нибудь под них. Обеспечьте исправную функцию маятникового защитного кожуха и его свободное движение. При опускании кронштейна вниз маятниковый защитный кожух должен открываться. При поднятии кронштейна вверх маятниковый защитный кожух должен опять закрыться над пыльным диском и войти в зацепление в самом верхнем положении кронштейна.

### Резание без тягового движения (торцевание) (см.рис. N)

- Для распила без горизонтального перемещения суппорта (небольшие заготовки) отпустите фиксирующий винт, если он затянут. Переместите кронштейн до упора в направлении упорной планки и снова затяните фиксирующий винт.
- При необходимости установите желаемый горизонтальный и/или вертикальный угол распила.
- Крепко прижмите заготовку к упорным планкам и.
- Закрепите заготовку в соответствии с размерами.
- Включите электроинструмент.
- Медленно опустите кронштейн за рукоятку.
- Выполните рез с равномерной подачей.
- Выключите электроинструмент и подождите, пока пыльный диск полностью не остановится.
- Осторожно поднимите кронштейн рабочего инструмента.

### Резание с тяговым движением

- Для распила с помощью тягового устройства (широкие заготовки) отпустите фиксирующий винт,если он затянут.
- При необходимости установите желаемый горизонтальный и/или вертикальный угол распила.
- Крепко прижмите заготовку к упорным планкам и.
- Закрепите заготовку в соответствии с размерами.
- Отодвиньте кронштейн настолько от упорной планки, чтобы пыльный диск оказался перед заготовкой.
- Включите электроинструмент.
- Медленно опустите кронштейн за рукоятку.
- Прижмите теперь кронштейн в направлении упорных планок и, затем распилите заготовку с равномерной подачей.
- Выключите электроинструмент и подождите, пока пыльный диск полностью не остановится.
- Осторожно поднимите кронштейн рабочего инструмента.

### Установка упора глубины (резание паза) (см. рис. O)

Для выпиливания пазов необходимо переключить ограничитель глубины.

- Поверните ограничитель глубины наружу.
- Установите кронштейн с помощью руко-

ятки в нужное положение.

- Отрегулируйте юстировочный винт так, чтобы его конец касался ограничителя глубины.
- Осторожно поднимите кронштейн рабочего инструмента.

#### Специальные заготовки

Для обработки изогнутых или круглых заготовок Вы должны зафиксировать их с целью предотвращения скольжения. На линии реза не допускается возникновение зазора между заготовкой, упорной рейкой и столом.

При необходимости следует изготовить специальный крепеж.

#### Основные настройки – контроль и коррекция

Для обеспечения точного распила после интенсивной работы нужно проверить исходные настройки электроинструмента и при необходимости подправить.

#### Юстирование лазера

**Указание:** Для проверки функции лазера необходимо подключить электроинструмент к электросети.

► При юстировании лазера (напр., при перемещении кронштейна) никогда не нажимайте на выключатель. Непреднамеренный запуск электроинструмента может привести к травмам.

- Приведите электроинструмент в рабочее положение.
- Поверните пильный стол до насечки 0°. Рычаг должен отчетливо войти в зацепление на насечке.

#### Выверка указателя угла распила (горизонтального) (см. рис. P)

- Приведите электроинструмент в рабочее положение.
- Поверните пильный стол до насечки 0°. Рычаг должен отчетливо войти в зацепление на насечке.

#### Контроль

Указатель угла распила должен находиться в одну линию с отметкой 0° на шкале.

#### Настройка

- Отпустите винт крестовидной отверткой и выровняйте индикатор угла по отметке 0°.
- Крепко затяните винт.

#### Транспортировка (см. рис. Q)

Перед транспортировкой электроинструмента выполните следующее:

- Отпустите фиксирующий винт, если он затянут. Потяните кронштейн рабочего инструмента до упора вперед и затяни-

те фиксирующий винт.

- Приведите электроинструмент в рабочее положение.
- Снимите с электроинструмента все принадлежности, которые не закрепляются прочно на машине. Переносите пильные диски, которыми Вы не пользуетесь, по возможности в закрытых емкостях.
- Переносите электроинструмент за ручку для переноски.

► **Переносите электроинструмента, взявшись за транспортировочные приспособления, никогда не используйте для этих целей защитные устройства.**

#### Техобслуживание и сервис

##### Техобслуживание и очистка

► **Перед любыми манипуляциями с электроинструментом вытаскивайте штепсель из розетки.**

► **Для обеспечения качественной и безопасной работы содержите электроинструмент и вентиляционные прорези в чистоте.**

► **Маятниковый защитный кожух должен всегда свободно двигаться и самостоятельно закрываться. Поэтому всегда держите в чистоте участок вокруг маятникового защитного кожуха.**

► **После каждой рабочей операции удаляйте пыль и стружку струей сжатого воздуха или кисточкой.**

► **Регулярно очищайте ролик скольжения.**

Если требуется поменять шнур, во избежание опасности обращайтесь на фирму P.I.T или в авторизованную сервисную мастерскую для электроинструментов P.I.T.

#### Сервис

► Ремонт вашего электроинструмента поручайте только квалифицированному персоналу и только с применением оригинальных запасных частей. Этим обеспечивается безопасность электроинструмента.

Список авторизованных сервисных центров можно посмотреть на официальном сайте P.I.T. по ссылке: <https://pitools.ru/servises/>

#### Хранение и транспортировка

Храните инструмент в закрытых помещениях с естественной вентиляцией в упаковке при температуре воздуха от 0°C до +50°C и влажности воздуха не более 80%.

Транспортировать продукцию можно любым видом закрытого транспорта в

упаковке производителя или без нее, с сохранением изделия от механических повреждений, атмосферных осадков. Перед транспортировкой извлеките сменный инструмент из электроинструмента.

### Утилизация

Отслужившие свой срок электроинструменты, принадлежности и упаковку следует сдавать на экологически чистую переработку отходов.



Утилизируйте электроинструмент

отдельно от бытового мусора!

### РАСШИФРОВКА ДАТЫ ИЗГОТОВЛЕНИЯ ИЗДЕЛИЯ

№. 

1	7	0	7	3	0	0	3	9	5
---	---	---	---	---	---	---	---	---	---

год
месяц
день

Дата изготовления изделия зашифрована в серийном номере, напечатанном на корпусе инструмента. Первые 2 цифры обозначают год выпуска, следующие 2 цифры – месяц и следующие 2 цифры - день.

### УСЛОВИЯ ГАРАНТИЙНОГО ОБСЛУЖИВАНИЯ

1. Настоящее гарантийное свидетельство является единственным документом, подтверждающим ваше право на бесплатное гарантийное обслуживание. Без предъявления данного свидетельства претензии не принимаются. В случае утери или порчи гарантийное свидетельство не восстанавливается.

2. Гарантийный срок на электроинструмент, а также зарядные устройства и аккумуляторные батареи серии OnePower составляет 12 месяцев со дня продажи, в течение гарантийного срока сервисная служба бесплатно устраняет производственные дефекты и производит замену деталей, вышедших из строя по вине изготовителя. На период гарантийного ремонта эквивалентный исправный инструмент не предоставляется. Заменяемые детали переходят в собственность служб сервиса.

Компания P.I.T. не несет ответственности за вред, который может быть причинен при работе с электроинструментом.

3. В гарантийный ремонт инструмент принимается в чистом виде, при обязательном наличии надлежащим образом оформлен-

ных документов: настоящего гарантийного свидетельства, гарантийного талона, с полностью заполненными полями, штампом торговой организации и подписью покупателя.

4. Гарантийный ремонт не производится в следующих случаях:

- при отсутствии гарантийного свидетельства и гарантийного талона или неправильном их оформлении;
- при совместном выходе из строя якоря и статора электродвигателя, при обугливание или оплавлении первичной обмотки трансформатора сварочного аппарата, зарядного или пуско-зарядного устройства, при оплавлении внутренних деталей, прожиге электронных плат;
- если гарантийное свидетельство или талон не принадлежат данному электроинструменту или не соответствует установленному поставщиком образцу;
- по истечении срока гарантии;
- при попытках самостоятельного вскрытия или ремонта электроинструмента вне гарантийной мастерской;
- внесения конструктивных изменений и смазки инструмента в гарантийный период, о чем свидетельствуют, например, заломы на шлицевых частях крепежа корпусных деталей.
- при использовании электроинструмента в производственных или иных целях, связанных с получением прибыли, а также при возникновении неисправностей связанных с нестабильностью параметров электросети, превышающих нормы, установленные ГОСТ;
- при неправильной эксплуатации (использование электроинструмента не по назначению, установки на электроинструмент не предназначенных заводом-изготовителем насадок, дополнительных приспособлений и т.п.;
- при механических повреждениях корпуса, сетевого шнура и при повреждениях, вызванных воздействиями агрессивных средств и высоких и низких температур, попадании инородных предметов в вентиляционные решетки электроинструмента, а также при повреждениях, наступивших в результате неправильного хранения (коррозия металлических частей);
- при естественном износе деталей электроинструмента, в результате длительной эксплуатации (определяется по признакам полной или частичной выработки ресурса,

сильного загрязнения, ржавчины снаружи и внутри электроинструмента, отработанной смазки в редукторе);

- использование инструмента не по назначению, указанному в инструкции по эксплуатации.

- при механических повреждениях инструмента;

- при возникновении повреждений в связи с несоблюдением предусмотренных инструкцией условий эксплуатации (см. главу «Указание по технике безопасности» в инструкции).

- повреждение изделия вследствие несоблюдения правил хранения и транспортировки.

- при сильном внутреннем загрязнении инструмента.

Профилактическое обслуживание электроинструмента (чистка, промывка, смазка, замена пыльников, поршневых и уплотнительных колец) в гарантийный период является платной услугой.

Срок службы изделия составляет 3 года. Срок хранения – 2 года. Не рекомендуется к эксплуатации по истечении 2 лет хранения с даты изготовления, которая указана в серийном номере на этикетке инструмента, без предварительной проверки (определение даты выпуска смотрите ранее в Руководстве пользователя).

О возможных нарушениях, изложенных выше условий гарантийного обслуживания, владельцу сообщается после проведения диагностики в сервисном центре.

Владелец инструмента доверяет проведение диагностики в сервисном центре в свое отсутствие.

Запрещается эксплуатация электроинструмента при проявлении признаков повышенного нагрева, искрения, а также шума в редукторной части. Для выяснения причин неисправности покупателю следует обратиться в гарантийную мастерскую.

Неисправности, вызванные несвоевременной заменой угольных щеток двигателя, устраняются за счет покупателя.

5.Гарантия не распространяется на:

- сменные принадлежности (аксессуары и оснастка), например: аккумуляторы, диски, ножи, сверла, буры, патроны, цепи, звездочки, цанговые зажимы, шины, элементы натяжения и крепления, головки триммеров, подошвы шлифовальных и ленточных машин, фильтры, головки шестигранные сменные насадки и т.п.

- быстроизнашивающиеся детали, например: угольные щетки, приводные ремни, сальники, защитные кожухи, направляющие ролики, направляющие, резиновые уплотнения, подшипники, зубчатые ремни и колеса, стволы, ленты тормоза, храповики и тросы стартеров, поршневые кольца и т.п.

Замена их в течение гарантийного срока является платной услугой.

-шнуры питания, в случае повреждения изоляции, шнуры питания подлежат обязательной замене без согласия владельца (услуга платная), в т.ч. корпуса инструмента.



# P.I.T. WARRANTY CERTIFICATE

Product Name \_\_\_\_\_

Product Serial Number

Charger Serial Number

Sale Date \_\_\_\_\_

Trade Organization Name \_\_\_\_\_



Dear customer!

Thank you for purchasing the P.I.T tool, and we hope that you will be satisfied with your choice. In the process of manufacturing the P.I.T tools pass multilevel quality control, if nevertheless your product will need maintenance, please contact the authorized P.I.T service centers.

Attention!

When buying, ask a seller to check the completeness and operability of the tool, to fill out the Warranty Certificate, the Warranty Card (the boxes shall be filled out by a seller) and to affix the seal of the trade organization in the Guarantee Certificate and the Warranty Card.

Warranty

By this Warranty Certificate, P.I.T. company guarantees the absence of defects of the production nature.

In the event any of the above defects are detected during the warranty period, the specialized P.I.T. service centers shall repair the product and replace the defective spare parts free of charge.

The warranty period for P.I.T. electric machines is 12 months from the date of sale.

“The warranty maintenance terms acknowledged and accepted. The operability and completeness of the product are checked in my presence. No claims on quality and appearance.”

Buyer's Signature \_\_\_\_\_ Surname (legibly) \_\_\_\_\_

Phone \_\_\_\_\_

**ГАРАНТИЙНОЕ СВИДЕТЕЛЬСТВО НА ИНСТРУМЕНТ P.I.T.**

Наименование изделия \_\_\_\_\_

Серийный номер изделия □□□□□□□□□□

Серийный номер зарядного устройства □□□□□□□□□□

Дата продажи « \_\_\_\_ » \_\_\_\_\_

Наименование торговой организации \_\_\_\_\_

Уважаемый покупатель!

М.П.

Благодарим Вас за покупку инструмента P.I.T. и надеемся, что Вы останетесь довольны своим выбором.

При необходимости обслуживания Вашего изделия обращайтесь в авторизованные сервисные центры P.I.T. Все сервисные центры представлены на сайте [www.pittools.ru](http://www.pittools.ru)

**Внимание!**

При покупке требуйте у продавца проверки работоспособности инструмента и его комплектности, а также заполнения гарантийного свидетельства, гарантийного талона (графы «Заполняются продавцом») и простановки печати торговой организации в гарантийном свидетельстве и гарантийных талонах.

**Гарантия**

На основании данного гарантийного свидетельства компания P.I.T. гарантирует отсутствие дефектов производственного характера.

Если в течение гарантийного срока в Вашем изделии обнаружатся указанные дефекты, то специализированные сервисные центры P.I.T. бесплатно отремонтируют изделие и заменят дефектные запасные части.

Гарантийный срок на электроинструменты P.I.T. составляет 12 месяцев со дня продажи.

«С условиями гарантийного обслуживания ознакомлен(а). Работоспособность и комплектность изделия проверены в моем присутствии. Претензий к качеству и внешнему виду не имею».

Подпись покупателя \_\_\_\_\_ Фамилия (разборчиво) \_\_\_\_\_

Телефон \_\_\_\_\_

# P.I.T. WARRANTY CARD

Name _____ Serial Number _____ Sale Date _____ 20__ Date of Receipt from Repair _____ 20__	<b>P.I.T.</b>		<b>№ 1</b>
	Name _____		Place of Seal
	Serial Number _____		
	Sale Date _____ 20__		
	(Filled out by a Seller)		
	WARRANTY REPAIR CARD		
	Date of Acceptance for Repair _____ 20__		
	Application for Repair _____		
	Customer _____		
	Phone (Address) _____		
Cause of Application _____			
Date of Receipt from Repair _____ 20__			
The Tool is checked in my presence _____			
(The Order shall be performed in a Service Center) (Signature)			

Name _____ Serial Number _____ Sale Date _____ 20__ Date of Receipt from Repair _____ 20__	<b>P.I.T.</b>		<b>№ 2</b>
	Name _____		Place of Seal
	Serial Number _____		
	Sale Date _____ 20__		
	(Filled out by a Seller)		
	WARRANTY REPAIR CARD		
	Date of Acceptance for Repair _____ 20__		
	Application for Repair _____		
	Customer _____		
	Phone (Address) _____		
Cause of Application _____			
Date of Receipt from Repair _____ 20__			
The Tool is checked in my presence _____			
(The Order shall be performed in a Service Center) (Signature)			

Name _____ Serial Number _____ Sale Date _____ 20__ Date of Receipt from Repair _____ 20__	<b>P.I.T.</b>		<b>№ 3</b>
	Name _____		Place of Seal
	Serial Number _____		
	Sale Date _____ 20__		
	(Filled out by a Seller)		
	WARRANTY REPAIR CARD		
	Date of Acceptance for Repair _____ 20__		
	Application for Repair _____		
	Customer _____		
	Phone (Address) _____		
Cause of Application _____			
Date of Receipt from Repair _____ 20__			
The Tool is checked in my presence _____			
(The Order shall be performed in a Service Center) (Signature)			

## ГАРАНТИЙНЫЙ ТАЛОН P.I.T.

P.I.T.

Талон № 1

Наименование \_\_\_\_\_  
 Серийный номер \_\_\_\_\_  
 Дата продажи « \_\_\_\_ » \_\_\_\_\_ 20\_\_ Place of Seal  
 (Заполняется продавцом)  
 КАРТА ГАРАНТИЙНОГО РЕМОНА  
 Дата приема ремонт \_\_\_\_\_ 20\_\_  
 Заявка на ремонт \_\_\_\_\_  
 Заказчик \_\_\_\_\_  
 Телефон (адрес) \_\_\_\_\_  
 Причина обращения \_\_\_\_\_  
 Дата получения от ремонта \_\_\_\_\_ 20\_\_  
 Инструмент проверен в моем присутствии \_\_\_\_\_  
 (Заказ заполняется в Сервисном Центре) (Подпись)

Наименование \_\_\_\_\_  
 Серийный номер \_\_\_\_\_  
 Дата продажи \_\_\_\_\_ 20\_\_  
 Дата получения от ремонта \_\_\_\_\_ 20\_\_

P.I.T.

Талон № 2

Наименование \_\_\_\_\_  
 Серийный номер \_\_\_\_\_  
 Дата продажи « \_\_\_\_ » \_\_\_\_\_ 20\_\_ Place of Seal  
 (Заполняется продавцом)  
 КАРТА ГАРАНТИЙНОГО РЕМОНА  
 Дата приема ремонт \_\_\_\_\_ 20\_\_  
 Заявка на ремонт \_\_\_\_\_  
 Заказчик \_\_\_\_\_  
 Телефон (адрес) \_\_\_\_\_  
 Причина обращения \_\_\_\_\_  
 Дата получения от ремонта \_\_\_\_\_ 20\_\_  
 Инструмент проверен в моем присутствии \_\_\_\_\_  
 (Заказ заполняется в Сервисном Центре) (Подпись)

Наименование \_\_\_\_\_  
 Серийный номер \_\_\_\_\_  
 Дата продажи \_\_\_\_\_ 20\_\_  
 Дата получения от ремонта \_\_\_\_\_ 20\_\_

P.I.T.

Талон № 3

Наименование \_\_\_\_\_  
 Серийный номер \_\_\_\_\_  
 Дата продажи « \_\_\_\_ » \_\_\_\_\_ 20\_\_ Place of Seal  
 (Заполняется продавцом)  
 КАРТА ГАРАНТИЙНОГО РЕМОНА  
 Дата приема ремонт \_\_\_\_\_ 20\_\_  
 Заявка на ремонт \_\_\_\_\_  
 Заказчик \_\_\_\_\_  
 Телефон (адрес) \_\_\_\_\_  
 Причина обращения \_\_\_\_\_  
 Дата получения от ремонта \_\_\_\_\_ 20\_\_  
 Инструмент проверен в моем присутствии \_\_\_\_\_  
 (Заказ заполняется в Сервисном Центре) (Подпись)

Наименование \_\_\_\_\_  
 Серийный номер \_\_\_\_\_  
 Дата продажи \_\_\_\_\_ 20\_\_  
 Дата получения от ремонта \_\_\_\_\_ 20\_\_



[www.pit-tools.com](http://www.pit-tools.com)

# P.I.T.

**Поставщик / производитель:** Xinjiang Longbo Industrial Co., Ltd./Синьцзян Лонгбо Индастриал Ко., Лтд.

**Адрес производства:** Rm. 602, 6th Floor, No. 531, Weixing Road, Economic And Technological Development Zone, Urumqi, Xinjiang, China / Оф.602, 6 этаж, №531, Вейшинг Родд, Экономик Энд Технолоджикал Девелопмент Зон, Урумчи, Синьцзян, Китай

**Импортер/ организация, уполномоченная принимать претензии:** ООО «Турбо-Тулс»

**Юридический адрес:** 117246, г. Москва, ул. Херсонская, 43 - 670

**Вопросы и предложения направляйте по адресу:** 614058, г. Пермь, ул. Фоминская, 36 [info@pittools.ru](mailto:info@pittools.ru)

**Сделано в КНР / Made in China**

ERC CE